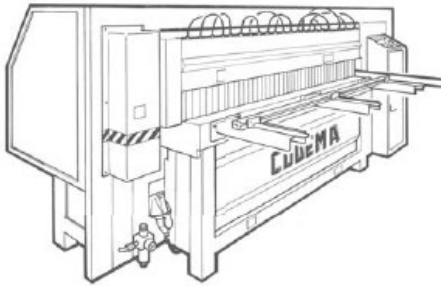


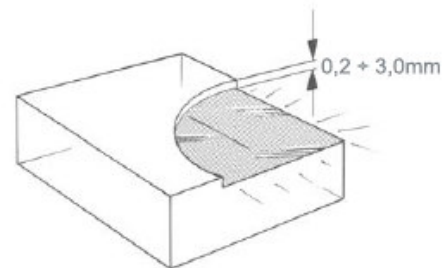
**RR**  
2100-3000



Grinding – Squaring – Polishing machine with fixed tool “ EE RR” .  
Two models, 2100 or 3000mm  
140 mm height.

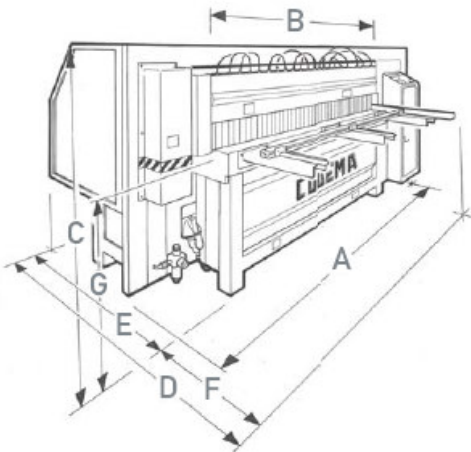
**TECNOLOGY FOR PLASTIC MATERIALS PROCESSING**

Codema EE RR polishing, grinding and squaring machine has been designed and constructed to obtain a perfect mechanical polishing, tolerance squaring, block square grinding of boards and metacrylate blocks (PMMA) and similar products, with patented process. Codema EE RR machine removes 0.2 to 3 mm. material leaving a polished and clear surface.

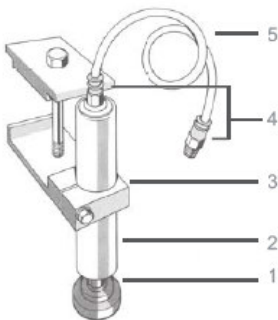


Another important feature of this machine is its simplicity in use:

1. put the working piece at the front edge, the cycle begins automatically by pressing the “start” button
2. material removal adjustment through nonius
3. easy , fast and safe tool replacement
4. brushless motors for the tool group translation.

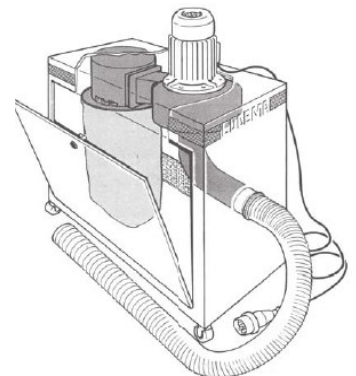


Description	Unit of Measure	RR 2100	RR 3000
A	mm	3100	4000
B	mm	2100	3000
C	mm	1470	1470
D	mm	1550	1550
E	mm	1100	1100
F	mm	450	450
G	mm	940	940
Feeding	Volt	380	380
Max Power	Kw	1.5	1.5
Weight	Kg	1410	1560



Presser

Position	Description
1	nylon foot with rubber bottom
2	simple effect cylinder 0 35x110
3	bracket with clamp
4	quick connection air coupling
5	rilsan tube 0 6/4 mm.



Suction Unit